

Door Entry Direct

ES200 Series Electric Strike

General Description

The ES200 series electric strikes are high security products manufactured from solid stainless steel and designed for use with all access control systems. The strikes are suitable for use with hinged doors which require either fire or security control as part of a building management system.

These strikes are flexible and can be changed from fail safe to fail secure, mounted on the left or right hand side of the door and are available in 12 or 24Vdc.

They offer a strong, dependable and long-lasting electric strike solution.

Key Features

- Fail safe/fail secure changeable on site
- High security
- 4 Hour fire rating
- 850kg holding force
- 1 million cycles endurance rating
- Cast stainless steel body
- Stainless steel locking pins
- Low Current consumption - Max 175mA @12Vdc
- Mounting kit supplied as standard
- Australian designed and made
- **TRIMEC ASSA ABLOY** 5 Year Warranty

Applications

- High traffic areas
- Fire rated door sets
- Open in/open out doors
- Suitable for use with all access control systems



Standards and Compliance

S3 (Security) Australian Lock Standard (AS4145.2:1993)

D3 (Durability) Australian Lock Standard (AS4145.2:1993)



Successfully fire rated up to 4hrs on fire door assemblies in accordance with AS1905.1. 2005 (Part 1: Fire resistant door sets)



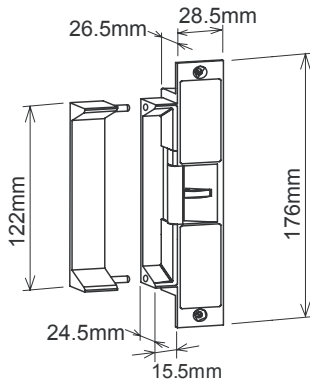
Approved to UL1034 (highest level)



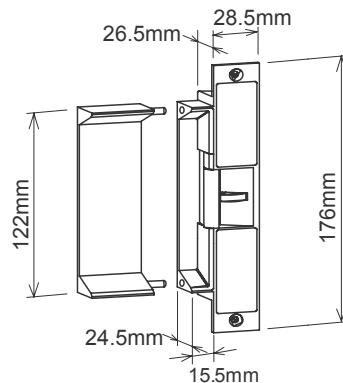
CE Approved

Door Entry Direct

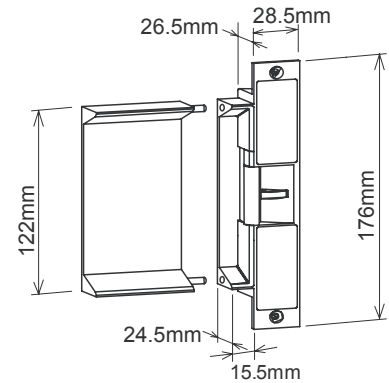
ES200 Series Electric Strike



ES200 with 25mm Extension Lip



ES200 with 50mm Extension Lip



ES200 with 75mm Extension Lip

ES200 Technical Information

Voltage	12 or 24Vdc
Current	175 mA @ 12Vdc - 88 mA @ 24Vdc
Solenoid	Solenoids are rated for continuous use.
Monitoring	None
Holding Force	850kg Static Strength Rating
Endurance	Cycle tested to 1,000,000 operations
Latch	Suitable for 15mm latch bolt with 3mm door gap
Environment	Operational temperature range -20°C to +60°C
Body	Solid Stainless Steel Construction
Keeper	Stainless Steel

Specification Statement

The strike should be constructed of solid stainless steel, have a minimum holding force of 850kg and have an endurance rating of 1 million cycles. The one strike must be changeable from fail safe to fail secure on site where required. The strike should not consume current greater than 175mA at 12Vdc and have a solenoid rated for continuous use. Certifications must include CE, C-Tick and 4 hr fire rating.

Ordering Information

Product Description	Part Number
12V Fail Safe Electric Strike	110201-000
12V Fail Safe Electric Strike with No Extension Lip	110201-010
12V Fail Secure Electric Strike	110202-000
12V Fail Secure Electric Strike with No Extension Lip	110202-010
24V Fail Safe Electric Strike	110203-000
24V Fail Secure Electric Strike with No Extension Lip	110203-010

Accessories

Product Description	Part Number
25mm Extension Lip	220200-505
12V Solenoid	220200-513
Mounting Kit	220200-519